

Dealer Name : \_\_\_\_\_  
 Dealer Contact : \_\_\_\_\_  
 Client Name : \_\_\_\_\_  
 Scripting Date: \_\_\_\_/\_\_\_\_/\_\_\_\_  
 Ship To : \_\_\_\_\_



Order N° \_\_\_\_\_  Quotation  
 Date \_\_\_\_\_ Signature \_\_\_\_\_  
 Customer Ref. \_\_\_\_\_  
 Funding: \_\_\_\_\_  
 Email Quote To: \_\_\_\_\_

**PAGE 1/2**

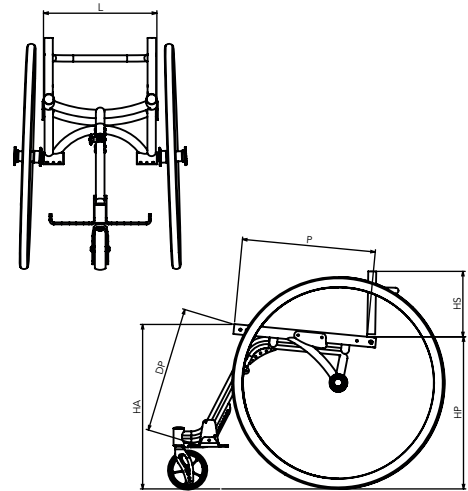
2020, January

Dealer

Key  standard  option

**FIXED**  
TITANIUM

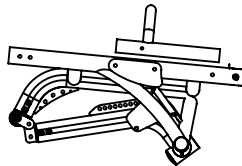
- L Seat width  34  36  38  40  42  44  
 P Seat depth  36  38  40  42  44  46  
 HS Back-rest height  range 27/31  range 31/37  
 HA Front seat/floor height  46  48  50  52  
 HP Rear seat/floor height  40  42  44  46  48  
 DP Foot-rest/seat distance  37  39  41  43  45  47  49 cm



**Frame colour** ①

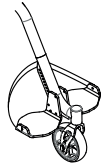
- Shiny titanium  Glossy black  
 Pearl white  Matt black  
 Natural titanium  
 ..... (see "Colours" catalogue)  
 Neon green  Neon orange

HINGED FRAME ②



- Carbon fibre footplates with heel stops (std)

- With coloured edges (on the heel stops, ev. edges of the straight sideguards) (available colours: red, green, light blue, cornflower blue, orange) .....(colour)



**Uphostery** ④

- Rigid carbon fibre seat (std)  
 SAMEKH backrest (std)  
 with shell in aluminium (matt black)  
 with shell in carbon fibre

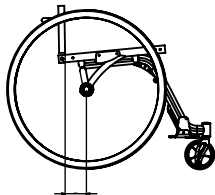
**Pushing handles** ⑤

- Without any pushing handles  
 Standard FIXED  
 Folding pushing handles

**Rear wheel camber** ⑥

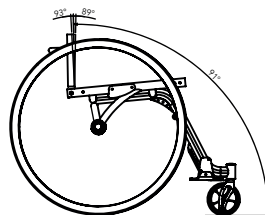
- 1°  2°  
 3°  4°

**Distance between the hub and the backrest** ⑦



- 9 cm (standard)  7 cm  
 3 cm  11 cm  
 5 cm  13 cm

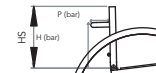
**Adjustable back-rest tilt** ⑧



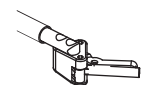
- 89°  
 91° (standard)  
 93°

**Back-rest bar** ⑨

- Standard:  
 P(bar) 7,5cm;  
 H(bar) 19cm;  
 dia 19mm.  
 Custom:  
 P.....cm;  
 H.....cm;  
 dia.....mm.



**Brakes** ⑩

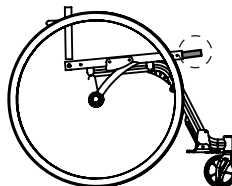


- Composite

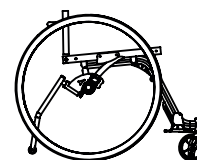
**Side-guards** ⑪

- Detachable with carbon fibre wing  
 Detachable straight carbon fibre

Endings to contain the legs right & left ⑫



**Revolving anti-tip device** ⑬



- Right  
 Left

Notes

Dealer Name : \_\_\_\_\_  
 Dealer Contact : \_\_\_\_\_  
 Client Name : \_\_\_\_\_  
 Scripting Date: \_\_\_\_/\_\_\_\_/\_\_\_\_  
 Ship To : \_\_\_\_\_

Order N° \_\_\_\_\_  Quotation  
 Date \_\_\_\_\_ Signature \_\_\_\_\_  
 Customer ref. \_\_\_\_\_

Funding: \_\_\_\_\_  
 Email Quote To: \_\_\_\_\_  
 2020, January



Dealer

**Rear wheels** (14)

25" Light  
 25" Spinerge LX  
 Spinerge spoke colour.....Black (std)  
 26" Fixed black (16 spokes)  
 26" Spinerge SLX  
 Spinerge spoke colour.....Black (std)  
 28" Fixed black (16 spokes)  
 28" Spinerge SLX  
 Spinerge spoke colour.....Black (std)  
 28" w/3 spokes (black or white)  
 28" comp.FAT

**Coperture**

Pneum. Marathon Plus black 25"/26"  
 Pneum. Kenda (grey) 25"/26"/28"  
 Coloured pneum. 28"  
 red  brown  
 lime green  white  
 blue  purple  
 orange  pink  
 yellow

**Pushrims** (15)

Dark aluminium 25"/26"/28"  
 Titanium 25"/26"/28"

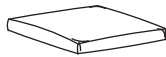
**Spokeguards** (16)

Transparent 26"/28"  
 Fantasy 25"/26"/28"  
 code pattern .....  
 (see catalogue of spokeguards)

**Front castors (with quick release axle)** (17)

100 (4"x1.1/4) solid with plastic rim  
 100 (4"x1) solid with lights  
 100 (4"x1.1/4) solid with alum. rim  
 125 (5"x1.1/4) solid with plastic rim  
 125 (5"x1.1/4) solid with alum. rim  
 125 (5"x1) solid with lights

**Lined cushion in foam polyurethane** (18)



3 cm high  
 5 cm high

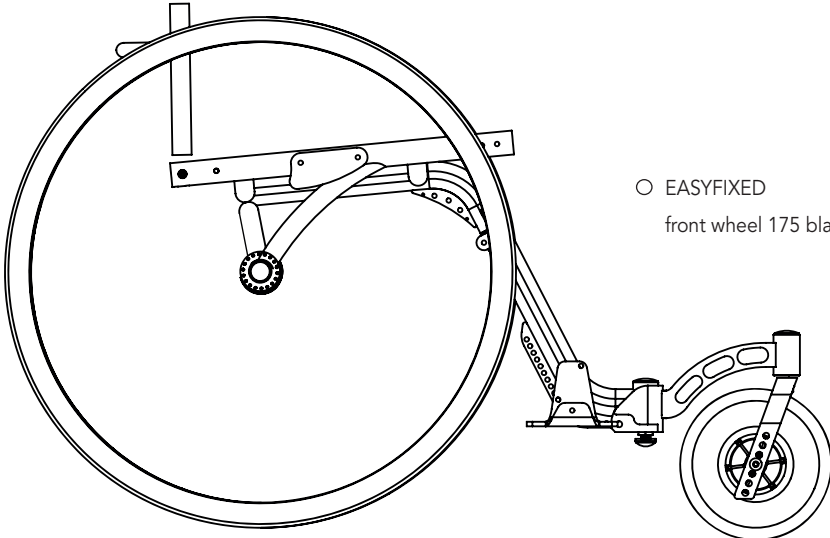
**Anodized set** (19)  
 (Rear wheels rims & hubs if 25" LIGHT, fork and eventual Easyfixed fork, caps)

Black  
 Silver  
 Light blue  
 Red  
 Orange  
 Cyclamen light purple  
 (only 25" Light wheels)

**Options**

21  Coloured pump for pneumatics .....(colour)  
 22  Blade for ice or snow  
 23  "M+F" velcro strips (hook and loop) on seat  
 24  "M" velcro strips (hook) on seat  
 25  "F" velcro strips (loop) on seat

(20)



EASYFIXED  
 front wheel 175 black colour with quick release axle