

Dealer Name : _____
 Dealer Contact : _____
 Client Name : _____
 Scripting Date: ____/____/____
 Ship To : _____

Dealer



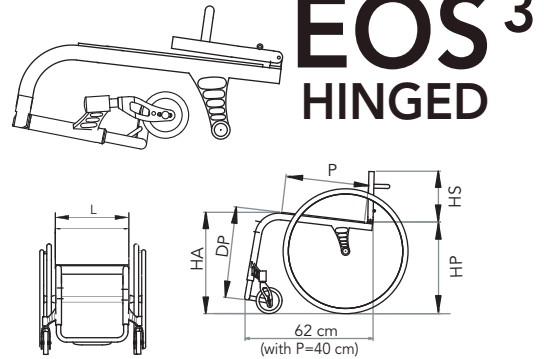
Order N° _____ Quotation
 Date _____ Signature _____
 Customer Ref. _____ User's weight Kg _____
 Funding: _____
 Email Quote To: _____
PAGE 1/2
 2020, January

Key

standard option

EOS³ FIX EOS³ ADJ

L Seat width 34 36 38 40 42 44
 P Seat depth 36 38 40 42 44 46
 HS Back-rest height 27 29 31 33 35 37 39 41
 HA Front seat/floor height 46 48 50
 HP Rear seat/floor height 40 42 44 46 48
 DP Foot-rest/seat distance 37 39 41 43 45 47 49 cm



Frame colour

Shiny titanium Natural titanium

Frame of Eos3 cannot be varnished

Backrest:

Tension adj nylon
 Breathable tension adj
 Without back-rest:

SAMEKH (separate order form)
 other seating system

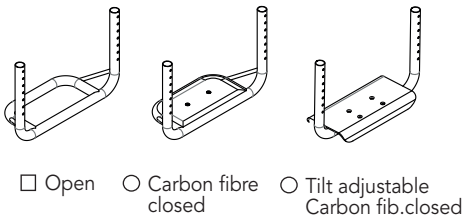
Upholstery

Seat:
 Fixed (stand.)
 Carbon fibre

Back-rest upholstery colour

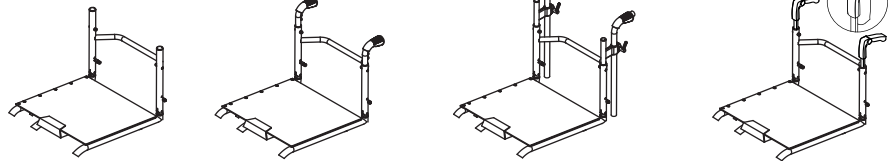
Black
 Coloured (nylon).....
 colours: orange, red, green, cornflower, light blue
 Coloured (breath.).....
 colours: red, dry green, grey

Tubular single titanium foot-rest



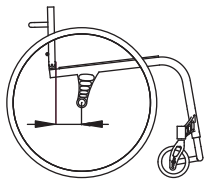
Open Carbon fibre closed Tilt adjustable Carbon fib.closed

Pushing handles



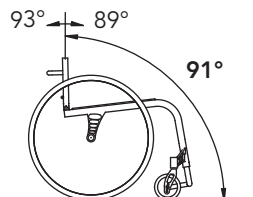
Without pushing handles Fixed pushing handles Height adjustable pushing handles Foldable pushing handles

Distance between the hub centre and back-rest



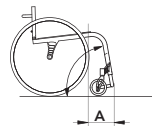
9 cm (standard) 7 cm
 0 cm (biamputated) 11 cm
 3 cm 12 cm
 5 cm

Back-rest tilt

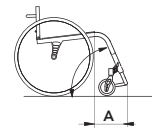


89°
 91° (standard)
 93°

Front frame angle



83° A = 14 cm (standard)



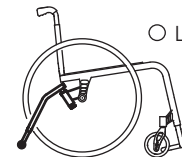
75° A = 19 cm

Rear wheel camber

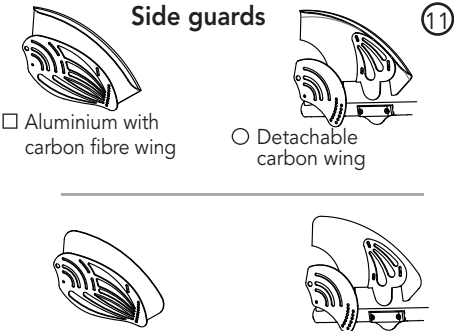
1° 2° 3° 4°

Revolving anti-tip device

Right
 Left



Side guards



Aluminium with carbon fibre wing Detachable carbon wing
 Aluminium w/straight carbon fibre Detachable straight carbon sideguard

Height adjustable from 22 to 28cm "L" arm-rest, detachable

Tip-up

Elbow-rest

Tubular
 Straight (26 cm long)
 Classic (23 cm long)
 Classic (30 cm long)

Brakes

Scissor brake
 Composite brake

Standard
 Pull brake

Pockets

Seat pocket Back-rest pocket

Backrest bar

Standard: dia 19mm
 P(bar) 7,5cm; H(bar) 19cm.
 Custom: dia.....mm
 P (bar).....cm; H (bar).....cm.

Notes



